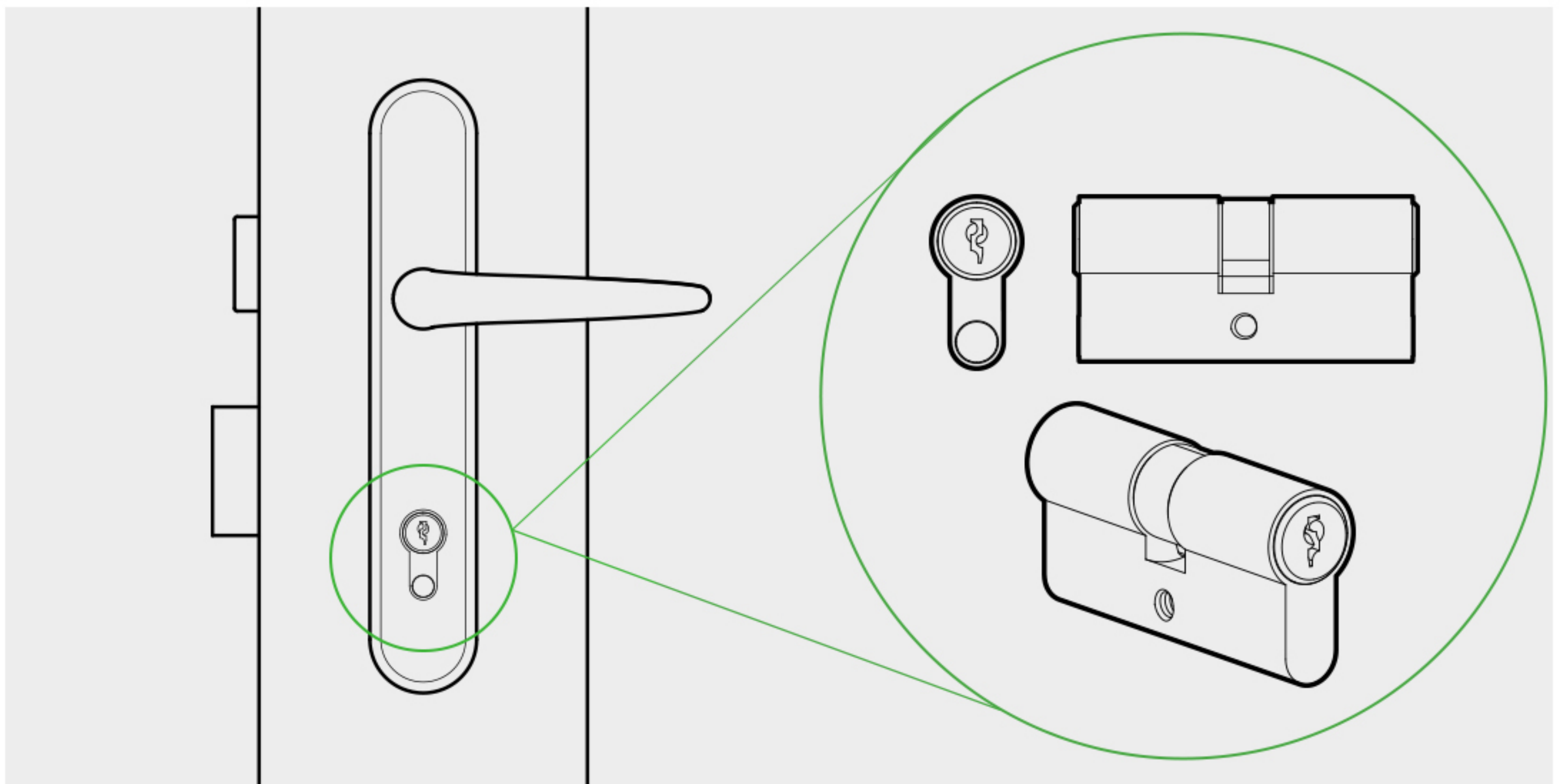
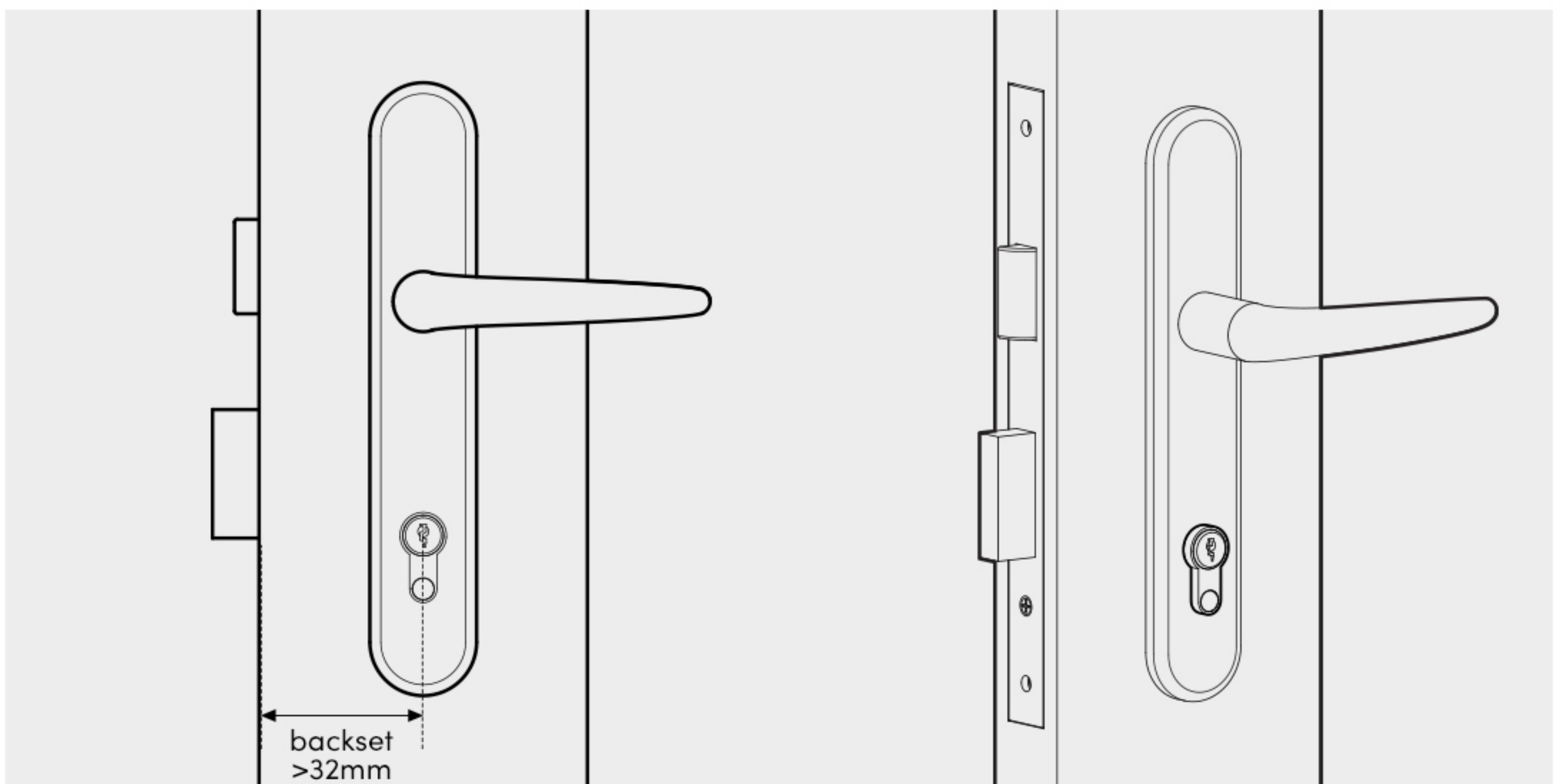


“Does it fit my door?”

1. Ensure your cylinder is a Euro profile cylinder.



2. Ensure that the distance from the cylinder to the edge of your door is more than 32mm.



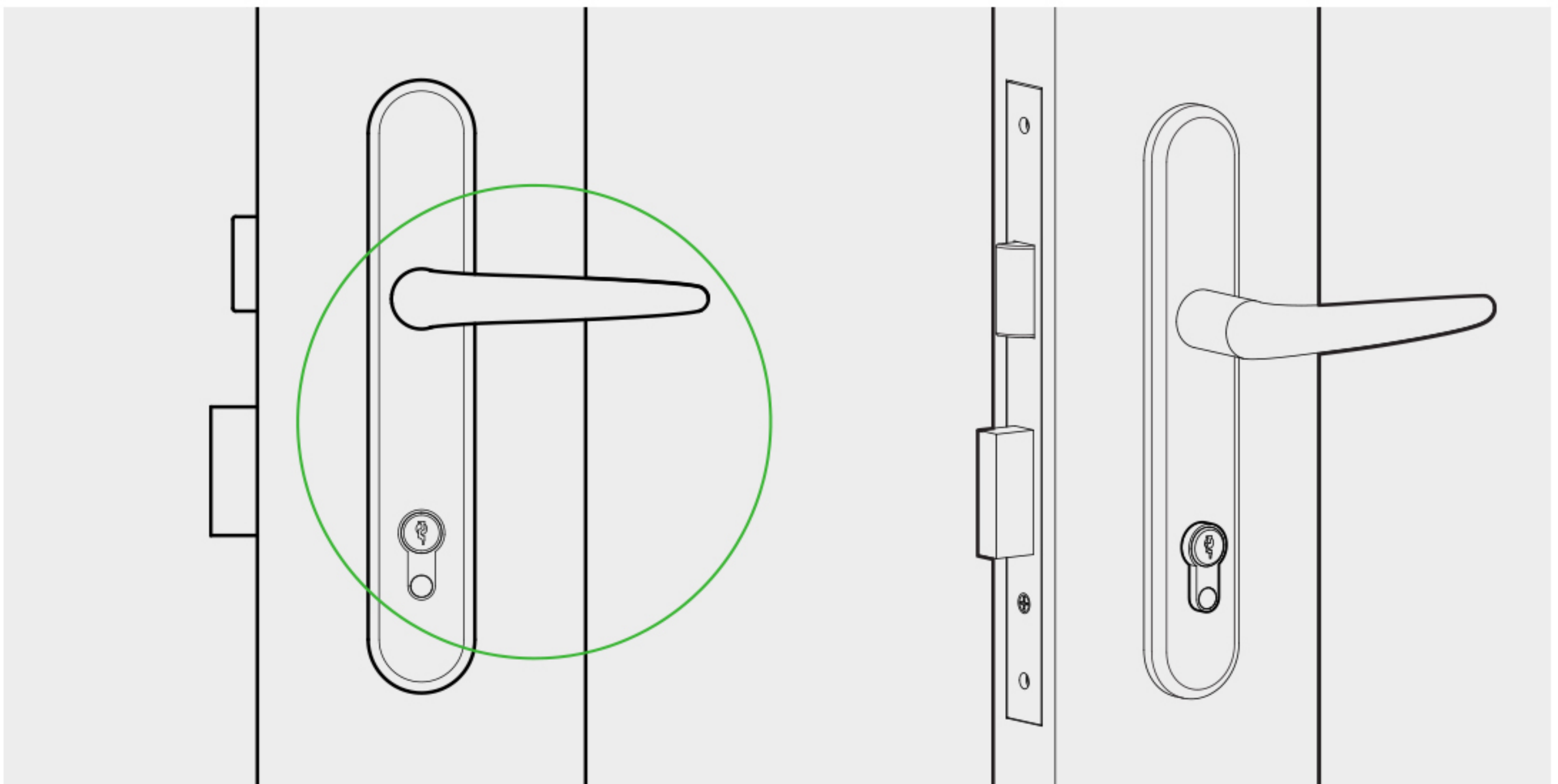
Distance from the euro cylinder to the edge of the door >32mm

The backset is the distance from the euro cylinder to the edge of the door.

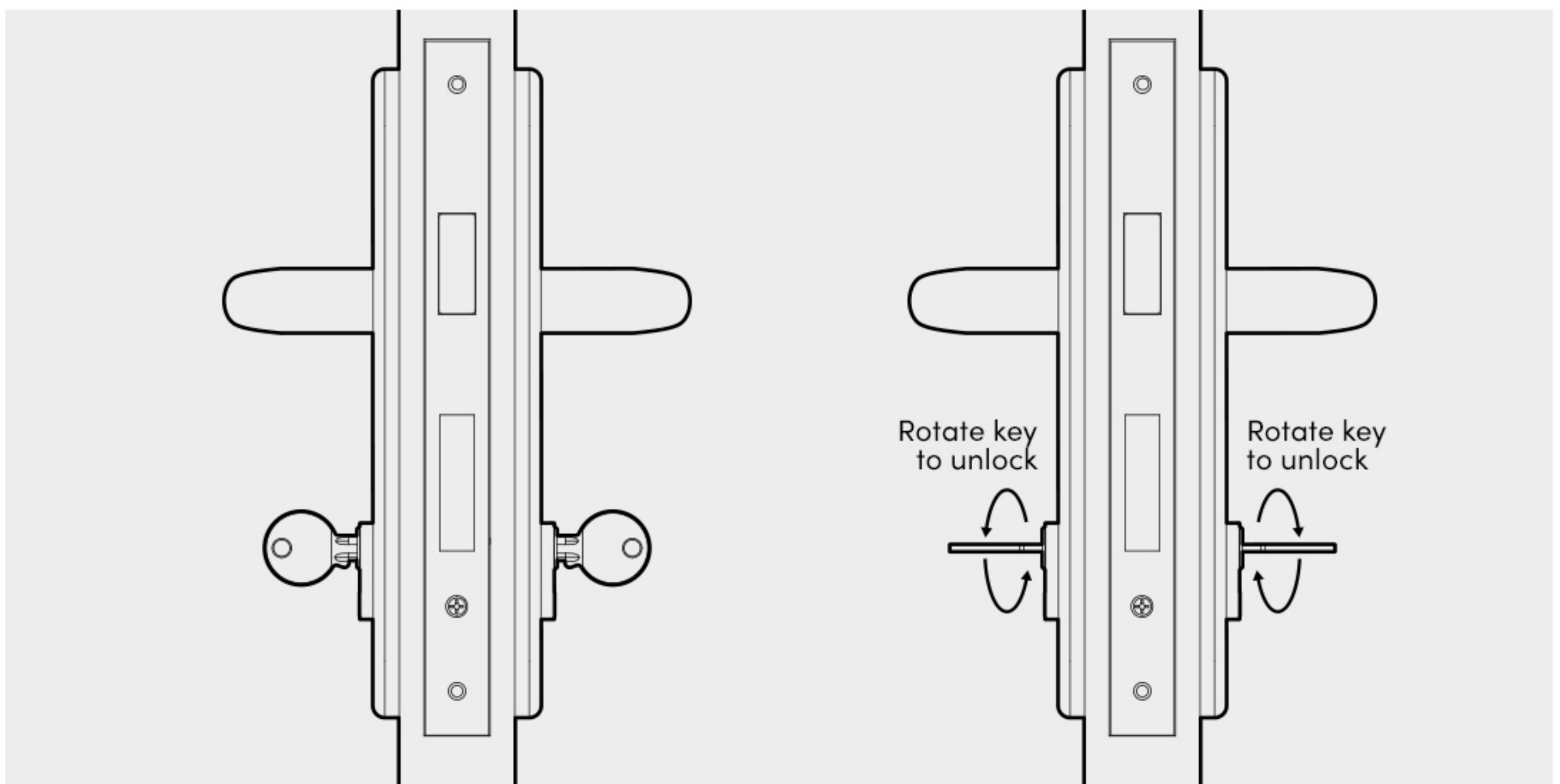
3. Ensure that your door opens inwards.



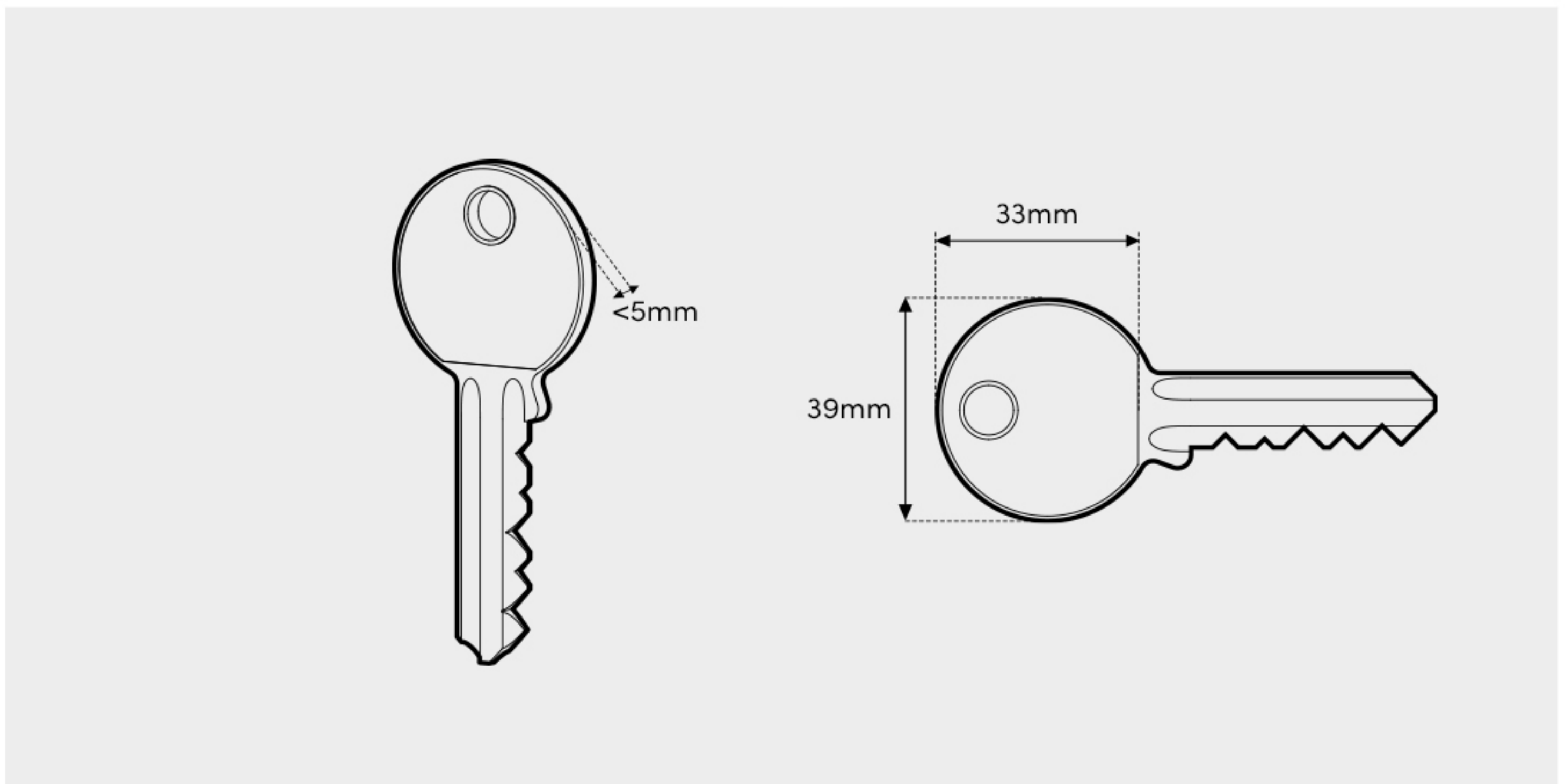
4. Ensure that the euro cylinder profile is located below the handle bar.



5. Ensure that you can unlock the door from the outside when a key is inserted on the inside.



6. Ensure that your key fits these dimensions.

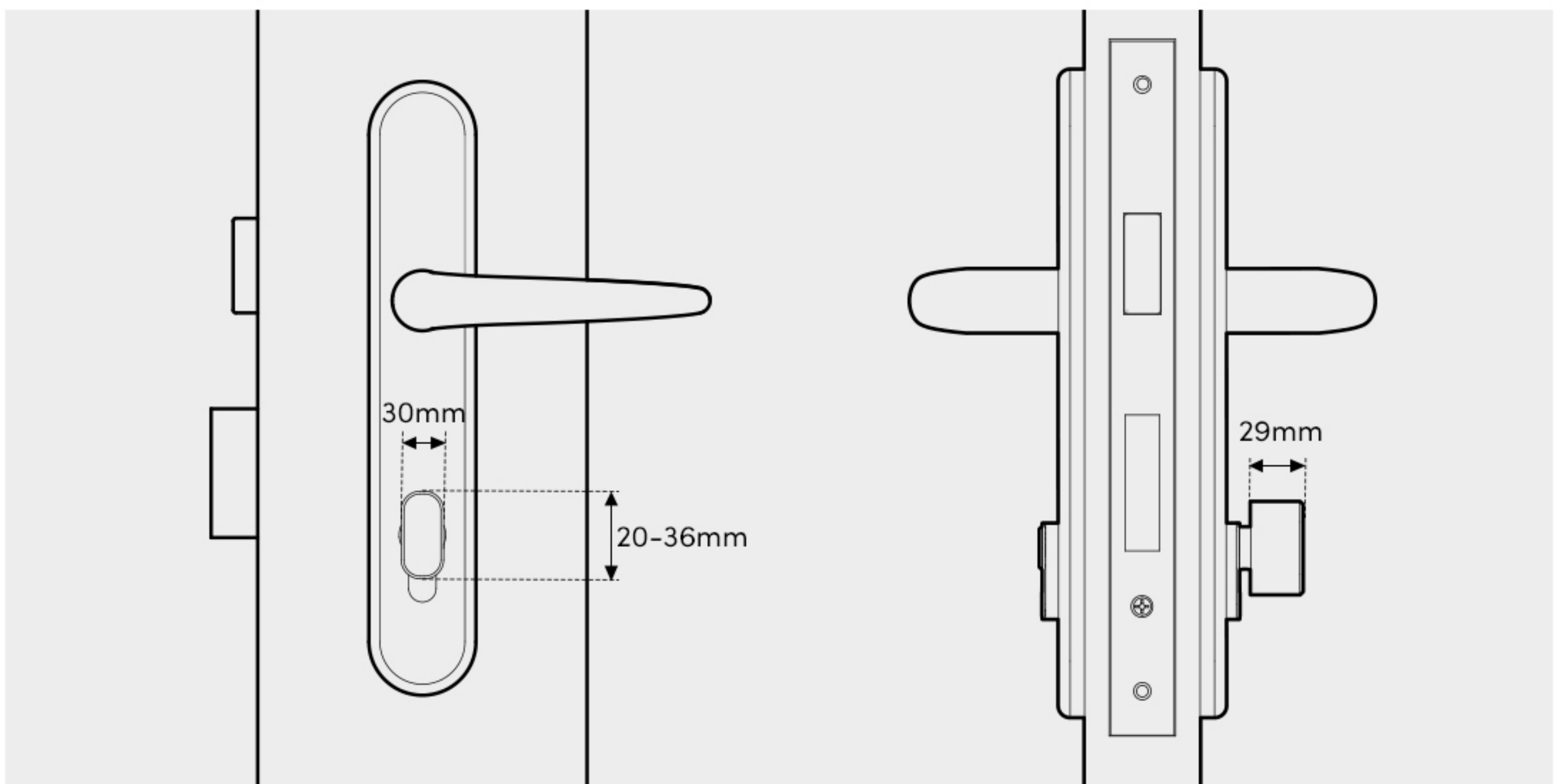


Thickness of key: <5mm

Key head Width: <39mm

Key head Depth: <33mm

7. For single cylinder, ensure that the thumbturn fits these dimensions.



Thumbturn Length: up to 20 - 36mm

Thumbturn Width: up to 30mm

Thumbturn Depth: up to 29mm